

630系列和555系列喷嘴 SCHLICK Model 630 and 555

Mod. 630, 555



材质

- 耐酸不锈钢
- 耐高温不锈钢
- 黄铜
- 聚氯
- 聚偏氟乙烯
- 其他客户指定材料

Materials

- Acid resistant stainless steel
- Heat resistant stainless steel
- Brass
- PVC
- PVDF
- Custom materials available on request

如有技术变更,恕不另行通知。

施利克经典喷嘴系列

为雾化解决方案而生

通过流道优化, 明显降低了气体或者蒸汽等工作噪音

Fluidically optimised to reduce noise during spraying of all gas or steam producing media

专门为极端临界的压力关系而开发

Designed and developed for critical and extremely critical pressure relationships

头部也可改为螺纹, 便于安装到设备或者管道壁上

Also available with head screw attachment for fitting to walls



Schlick
Mod. 630

Subject to technical alterations

产品目录
Product Overview

两液体喷嘴
Two-Substance
Nozzles

防滴漏/专业包浆技术
ABC/PCA Technique

三/四液体喷嘴
Three-/Four-
Substance Nozzles

多喷头技术
Multispray

喷嘴杆
Insertion Pipes

喷嘴头
Nozzle Heads

实心锥喷嘴
Full Cone Nozzles

空心锥喷嘴
Hollow Cone Nozzles

硬质合金喷嘴
Carbide Nozzles

扁平喷嘴
Flat Spray Nozzles

喷射喷嘴
Smooth-Jet Nozzles

混合喷嘴
Mixing Nozzles

拉瓦尔喷嘴
Laval Nozzles

清洗喷嘴
Cleaning Nozzles

喷嘴附件
Accessories

测试中心
Test Center

630系列和555系列喷嘴 SCHLICK Model 630 and 555



630系列和555系列喷嘴— 气体和蒸汽喷射利器

SCHLICK气体和蒸汽喷射喷嘴非常适用于各种气体或者蒸汽形式的物料。

SCHLICK降噪式拉瓦尔喷嘴特别适用于极端临界的关系。

SCHLICK model 630 and 555 – the gas and steam specialists

SCHLICK steam and air jet nozzles are very well suited to spraying all gas or steam-forming media.

The noise-reducing Laval nozzles can be used for critical and extremely critical pressure relationships.

630系列喷嘴流道进行了优化,工作噪音得以降低
The SCHLICK model 630 was fluidically optimised and so reduces the operating noise volume



630系列喷嘴特性 Characteristics of model 630

	雾化形状:	全锥形
	雾化角度:	大致30°
	处理量:	流体是饱和蒸汽时: 1.0 - 430 kg/h (3Bar时) 流体是压缩空气时: 0.69 - 280 m³/h (1Bar时)
	常规孔径:	0.8 mm - 20 mm 孔径大小可以0.1mm幅度变化

	Spray pattern:	circular full-cone
	Spray angle:	approx. 30°
	Capacity:	1.0 - 430 kg/h saturated steam at 3 bar, 0.69 - 280 norm m³/h compressed air at 1 bar
	Standard orifices:	0.8 mm - 20 mm Bore sizes are possible in 1/10 mm steps

如有技术变更,恕不另行通知。

创新性产品设计造就了完美的雾化效果:

- 拆装极其简单
- 为精细雾化的应用场合设计
- 应用范围非常广泛
- 终身售后服务保障
- 免费产品设计和技术支持

Innovative product design for perfect spraying:

- Extremely easy installation/de-installation
- Designed for critical and extremely critical pressure relationships
- Very wide range of applications
- Long-term after-sales warranty
- Engineering free of charge

630K系列喷嘴是客户定制款拉瓦尔喷嘴,在630系列的基础上,头部可改为螺纹,方便客户安装到设备壁上,也可增加用于焊接的切口,方便将喷嘴焊接固定到管道上等(630 S1系列)。

The Laval nozzle is also available as the custom model 630 K – with a head screw thread for fitting to walls – and 630 S1 – with individually adapted cut-out for welding to pipes etc.

555系列喷嘴有个特别设计的锥形柱塞,通过螺钉的调节可调整环形间隙的大小,从而实现相同压力下,流量大小的调节,间隙大流量大,间隙小流量也小。

The distinct feature of SCHLICK model 555 is the specially designed annular gap. By opening and closing this gap the air flow can be individually adapted at the same pressure



555系列喷嘴的特性

Characteristics of model 555



雾化形状: 全锥形



雾化角度: 大致140°



处理量:
流体是饱和蒸汽时: 50- 460 kg/h (3Bar时)
流体是压缩空气时: 33 - 290 m³/h (1Bar时)



常规孔径:
因为环形间隙可调节,因此即使相同压力,流量也可调节



Spray pattern: circular full-cone



Spray angle: approx. 140°



Capacity:
50 - 460 kg/h saturated steam at 3 bar,
33 - 290 norm m³/h compressed air at 1 bar



Standard orifices:
With an adjustable annular gap and therefore also a variable flow rate at the same pressure

630系列和555系列喷嘴 *SCHLICK Model 630 and 555*

Mod. 630, 555

压力式喷嘴 / 拉瓦尔喷嘴
Pressure Nozzles / Laval



如有技术变更, 恕不另行通知。

应用

- 低噪声加热
- 密闭空间或容器内气体的干燥和保湿

Applications

- Low-noise heating
- Drying and moisturising of gaseous media in enclosed spaces and containers



产品目录
Product Overview

两液体喷嘴
Two-Substance
Nozzles

防滴漏/专业包装技术
ABC/PCA Technique

三/四液体喷嘴
Three-/Four-
Substance Nozzles

多喷头技术
Multispray

喷射杆
Insertion Pipes

喷嘴头
Nozzle Heads

实心锥喷嘴
Full Cone Nozzles

空心锥喷嘴
Hollow Cone Nozzles

硬质合金喷嘴
Carbide Nozzles

扁平喷嘴
Flat Spray Nozzles

喷射喷嘴
Smooth-Jet Nozzles

混合喷嘴
Mixing Nozzles

拉瓦尔喷嘴
Laval Nozzles

清洗喷嘴
Cleaning Nozzles

喷嘴附件
Accessories

测试中心
Test Center

630系列和555系列喷嘴的具体技术参数

Technical Details SCHLICK Model 630 and 555



630系列喷嘴流量表 (kg/h, 介质为饱和蒸汽)
Model 630 – saturated steam flow rate in kg/h

Größe Size	孔径 (mm) Borehole in mm	压力 (bar (g)) Pressure in bar (g)							
		1	2	3	4	5	6	7	8
1	0.8	0.54	0.81	1.08	1.35	1.62	1.89	2.16	2.43
	1.0	0.84	1.26	1.68	2.10	2.55	2.95	3.36	3.78
	1.5	1.90	2.85	3.80	4.75	5.70	6.65	7.60	8.55
	2.0	3.36	5.05	6.72	8.40	10.10	11.80	13.50	15.20
	2.5	5.28	7.90	10.50	13.20	15.80	18.40	21.70	23.70
2	3.0	7.60	11.40	15.20	19.00	22.70	26.50	30.30	34.10
	3.5	10.30	15.50	20.60	25.80	30.90	36.10	41.20	46.40
	4.0	13.50	20.20	27.00	33.70	40.40	47.20	53.90	60.60
	4.5	17.10	25.60	34.10	42.60	51.20	59.70	68.20	76.70
	5.0	21.10	31.60	42.10	52.60	63.20	73.70	84.20	94.70
3	6.0	30.30	45.50	60.60	75.80	91.00	106.00	121.00	136.50
	7.0	41.30	61.90	82.50	103.00	124.00	144.00	165.00	186.00
	8.0	53.90	80.80	108.00	135.00	162.00	189.00	216.00	243.00
	9.0	68.20	102.50	136.50	170.50	204.50	238.50	273.00	307.00
4	10.0	84.20	126.00	168.50	210.50	252.50	295.00	337.00	379.00
	11.0	102.00	153.00	204.00	255.00	305.50	356.50	408.50	460.00
	12.0	121.00	182.00	242.50	303.00	364.00	424.00	485.00	545.50
5	13.0	142.00	213.50	284.50	356.00	427.00	499.00	569.00	640.00
	14.0	165.00	247.50	330.00	412.50	495.00	577.50	660.00	742.50
	15.0	189.50	284.00	379.00	473.50	568.50	663.00	758.00	852.50
	16.0	215.50	323.50	431.00	539.00	646.50	754.50	862.00	970.00

此流量数据是基于压缩空气 (20°C时, 密度为1.2公斤/立方) 或饱和蒸汽测得, 如气体密度为其他值时, 流量会有所不同。

Flow rates refer to compressed air (at 20 °C, density 1.2 kg/m³) or to saturated steam. Flow rates for gases of other densities change correspondingly.

555系列喷嘴流量表 (kg/h, 介质为饱和蒸汽)
Model 555 – saturated steam flow rate in kg/h

Größe Size	螺纹规格 (ISO 228) Connector ISO 228	1 bar (ü)		2 bar (ü)		3 bar (ü)		4 bar (ü)	
		1 bar (g)		2 bar (g)		3 bar (g)		4 bar (g)	
		min	max	min	max	min	max	min	max
1	1/2	25	76	37	115	50	152	62	190
2	3/4	42	125	63	187	85	250	105	310
3	1	75	230	112	345	150	460	188	575

此流量数据是基于压缩空气 (20°C时, 密度为1.2公斤/立方) 或饱和蒸汽测得, 如气体密度为其他值时, 流量会有所不同。

Flow rates refer to compressed air (at 20 °C, density 1.2 kg/m³) or to saturated steam. Flow rates for gases of other densities change correspondingly.

给客户 提供喷嘴和雾化解决方案的同时,我们还确保为客户 提供良好的售后服务,喷嘴维修和更新服务,所有喷嘴和备件 设计图纸都会长期保存,紧急情况下,能快速为客户提供可靠 的配件。

As well as competent advice and its inception, you can profit from an efficient after-sales service that guarantees long-term supply of all products. We carry out both repair and conversion of SCHLICK spray nozzles, and in emergency, we can supply spare parts quickly and reliably.

630系列喷嘴流量表 (kg/h, 介质为20 °C压缩空气)
Model 630 – compressed air flow rate in Normal m³/h at 20 °C

Größe Size	孔径 (mm) Borehole in mm	压力 (bar (g)) Pressure in bar (g)							
		1	2	3	4	5	6	7	8
1	0.8	0.69	1.03	1.38	1.72	2.07	2.42	2.76	3.10
	1.0	1.07	1.61	2.14	2.67	3.22	3.75	4.30	4.85
	1.5	2.42	3.64	4.85	6.05	7.25	8.50	9.70	10.90
	2.0	4.30	6.45	8.60	10.70	12.90	15.20	17.20	19.40
	2.5	6.72	10.10	13.50	16.80	20.20	23.60	27.00	30.30
2	3.0	9.70	14.50	19.40	24.20	29.20	34.00	38.70	43.60
	3.5	13.20	19.80	26.40	33.00	39.60	46.10	52.70	59.30
	4.0	17.20	25.80	34.50	43.00	51.70	60.20	69.00	77.50
	4.5	21.70	32.70	43.50	54.50	65.40	76.00	87.00	98.00
	5.0	26.80	40.20	53.50	67.30	80.70	94.00	107.00	121.00
3	6.0	38.70	58.10	77.50	96.80	116.00	136.00	155.00	174.00
	7.0	52.80	79.00	105.00	132.00	159.00	185.00	210.00	237.00
	8.0	69.00	103.20	138.00	172.00	207.00	241.00	276.00	310.00
	9.0	87.00	130.00	174.00	217.00	261.00	305.00	348.00	392.00
4	10.0	107.00	161.00	215.00	269.00	322.00	376.00	430.00	484.00
	11.0	130.00	195.00	260.00	325.00	390.00	455.00	520.00	585.00
	12.0	155.00	233.00	310.00	388.00	465.00	542.00	620.00	700.00
5	13.0	182.00	273.00	364.00	455.00	545.00	636.00	728.00	818.00
	14.0	211.00	317.00	422.00	527.00	633.00	738.00	844.00	950.00
	15.0	242.00	364.00	485.00	605.00	726.00	847.00	968.00	1090.00
	16.0	276.00	413.00	550.00	689.00	826.00	965.00	1100.00	1240.00

此流量数据是基于压缩空气 (20°C时, 密度为1.2公斤/立方) 或饱和蒸汽测得, 如气体密度为其他值时, 流量会有所不同。

Flow rates refer to compressed air (at 20 °C, density 1.2 kg/m³) or to saturated steam. Flow rates for gases of other densities change correspondingly.

555系列喷嘴流量表 (Kg/h, 介质为20 °C压缩空气)
Model 555 – compressed air flow rate in Normal m³/h at 20 °C

Größe Size	螺纹规格 (ISO 228) Connector ISO 228	1 bar (ü)		2 bar (ü)		3 bar (ü)		4 bar (ü)	
		1 bar (g)		2 bar (g)		3 bar (g)		4 bar (g)	
		min	max	min	max	min	max	min	max
1	1/2	33	97	50	145	66	195	82	245
2	3/4	54	154	80	230	110	310	135	385
3	1	95	290	143	435	190	580	240	720

此流量数据是基于压缩空气 (20°C时, 密度为1.2公斤/立方) 或饱和蒸汽测得, 如气体密度为其他值时, 流量会有所不同。

Flow rates refer to compressed air (at 20 °C, density 1.2 kg/m³) or to saturated steam. Flow rates for gases of other densities change correspondingly.

产品目录
Product Overview

两液体喷嘴
Two-Substance
Nozzles

防滴漏/专业包装技术
ABC/PCA Technique

三/四液体喷嘴
Three-/Four-
Substance Nozzles

多喷头技术
Multispray

喷嘴杆
Insertion Pipes

喷嘴头
Nozzle Heads

空心锥喷嘴
Full-Cone Nozzles

空心锥喷嘴
Hollow-Cone Nozzles

硬质合金喷嘴
Carbide Nozzles

扁平喷嘴
Flat Spray Nozzles

喷射喷嘴
Smooth-Jet Nozzles

混合喷嘴
Mixing Nozzles

拉瓦尔喷嘴
Laval Nozzles

清洗喷嘴
Cleaning Nozzles

喷嘴附件
Accessories

测试中心
Test Center

630系列和555系列喷嘴的具体技术参数

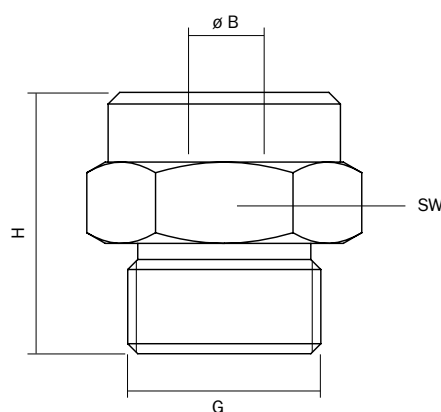
Technical Details SCHLICK Model 630 and 555



630系列喷嘴尺寸

Dimensions of model 630

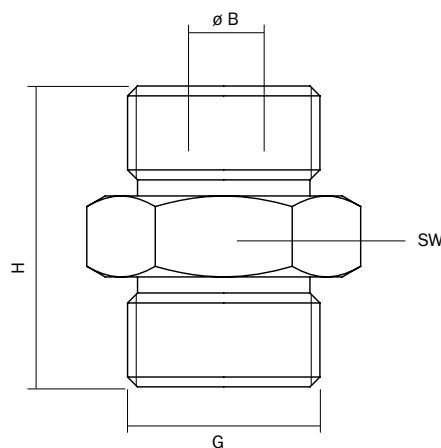
Größe Size	1	2	3	4	5	6	7
螺纹规格 (ISO 228 G) Connector ISO 228 G	1/4	3/8	1/2	3/4	1	1 1/4	1 1/2
总长H (mm) Total height H in mm	16.5	23.0	28.5	37.5	45.0	51.5	55.0
扳手开口尺寸 (mm) Spanner size SW in mm	17.0	22.0	27.0	32.0	41.0	50.0	55.0
最大孔径B (mm) Max. bore diameter B in mm	3.0	5.0	9.0	12.0	16.0	19.0	25.0



630 K系列喷嘴尺寸

Dimensions of model 630 K

Größe Size	1	2	3	4	5	6	7
螺纹规格 (ISO 228 G) Connector ISO 228 G	1/4	3/8	1/2	3/4	1	1 1/4	1 1/2
总长H (mm) Total height H in mm	22.5	29.0	38.0	42.0	52.0		
扳手开口尺寸 (mm) Spanner size SW in mm	17.0	22.0	27.0	32.0	41.0	50.0	55.0
最大孔径B (mm) Max. bore diameter B in mm	3.0	5.0	9.0	12.0	16.0	19.0	25.0
头部螺纹规格 (ISO 228 K) K Head screw thread ISO 228 K	1/4	3/8	1/2	1	1 1/4	1 1/2	2



SCHLICK – 为雾化解决方案而生

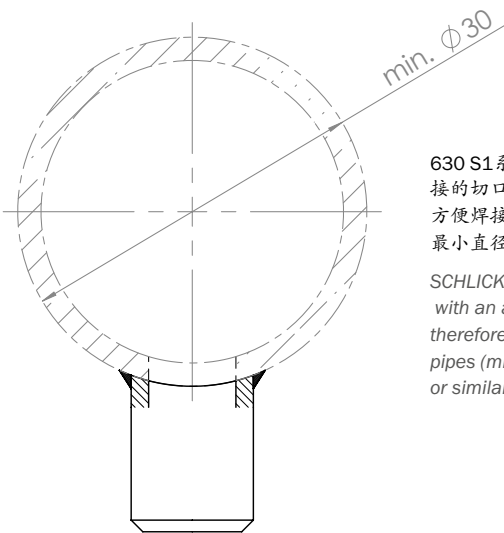
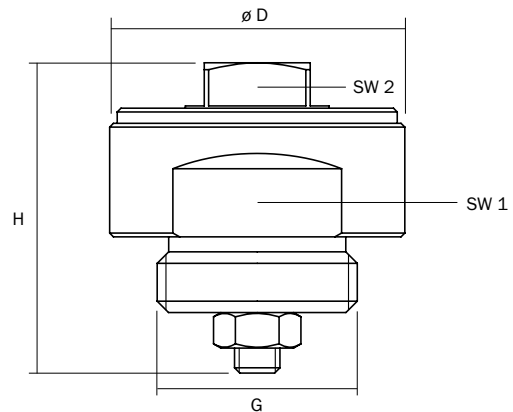
神奇的SCHLICK雾化技术
Clever SCHLICK technology

从设备设计规划到实际批量生产,
Schlick都能提供完美解决方案。

SCHLICK know-how – from planning
to installation. We would be delighted
to assist in the optimisation of your
technical and operational results.

555系列喷嘴尺寸 Dimensions of model 555

Größe Size	1	2	3
螺纹规格 (ISO 228 G) Connector ISO 228 G	1/2	3/4	1
总长H (mm) Total height H in mm	32	36	42
扳手开口尺寸 (mm) Spanner size SW 1 in mm	27	32	41
扳手开口尺寸 (mm) Spanner size SW 2 in mm	14	14	17
直径D (mm) Diameter D in mm	35	40	50



630 S1系列喷嘴, 带有可调的用于焊接的切口, 因此630 S1系列喷嘴特别方便焊接到管道或类似管道上面(管最小直径为30mm)。

SCHLICK model 630 S1 is delivered with an adapted cut-out and is therefore best suited for welding to pipes (minimum diameter = 30 mm) or similar.